

Severe & Hazardous Area Experts

Metal
to Metal
seated

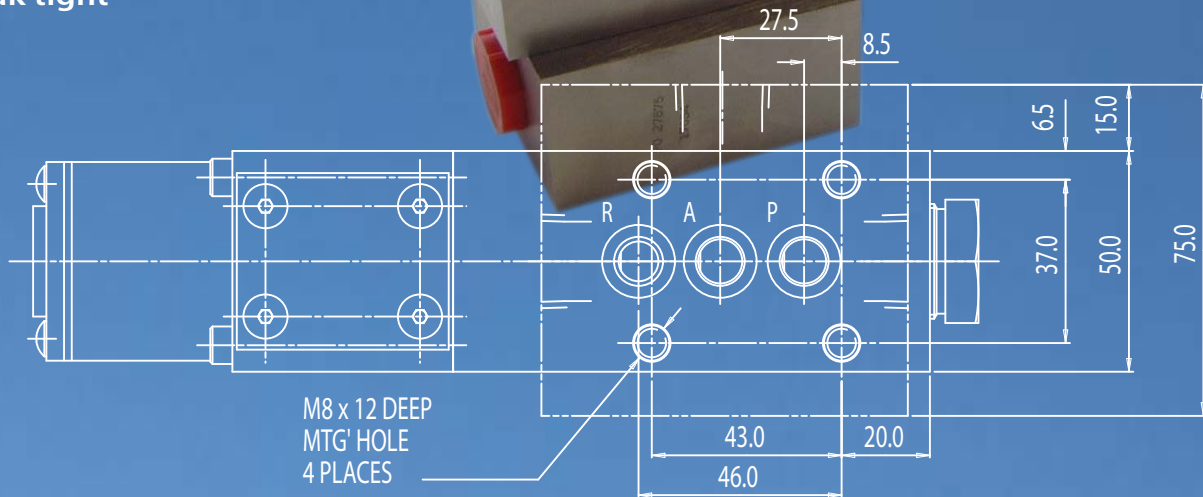
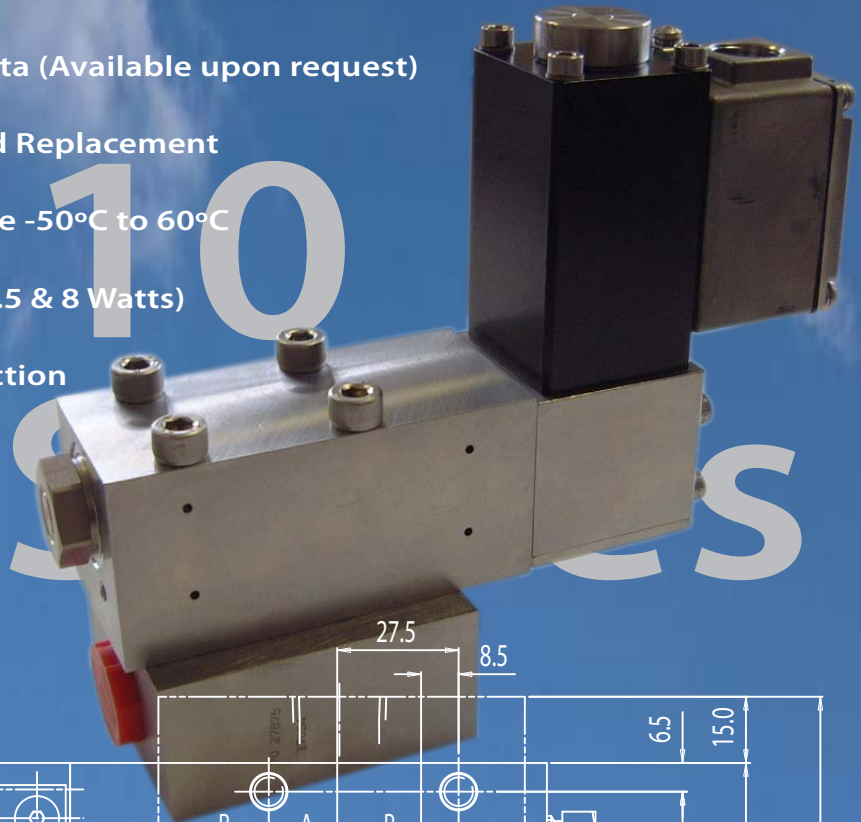
Hydraulic
Solenoid
Valve

DN10
Series

Specifically designed for Offshore Severe Environments

- Certified Zone 1 Class 1 Hazardous Areas
- ATEX 94/9/EC
- M.T.B.F., Lambda and SIL Data (Available upon request)
- Easy Installation, Repair and Replacement
- Ambient Temperature Range -50°C to 60°C
- Low Power Consumption (3.5 & 8 Watts)
- 316 Stainless Steel Construction
- 690 bar Max Pressure
- 40 litres/min
- Leak tight

DN10



Severe & Hazardous Area Experts

Metal
to Metal
Seated

Hydraulic
Solenoid
Valve

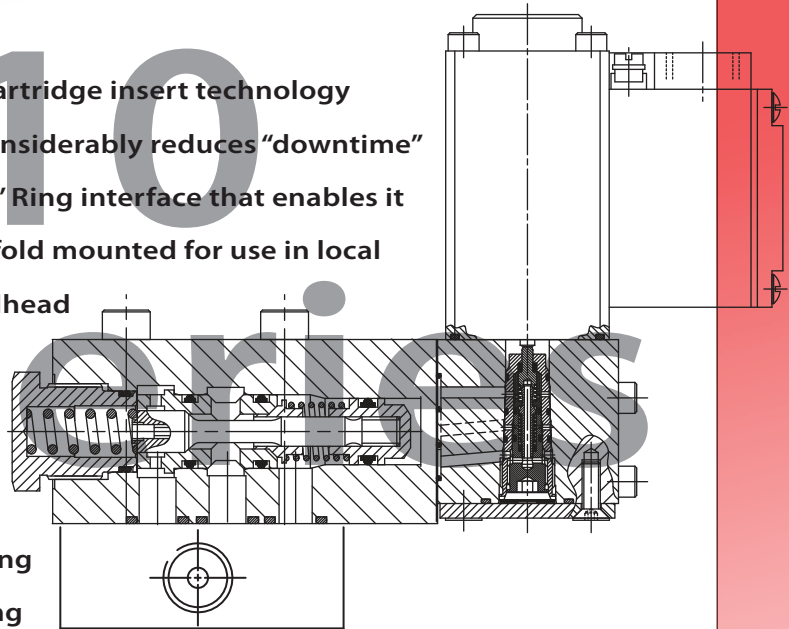
DN10
Series

General Description

The DN10 is a metal to metal seated hydraulic control valve. The stainless steel seat design ensures a leak tight shut off. The valve design incorporates a balanced internal piloting system to enable the low powered solenoid coil to switch the valve at high pressures.

The DN10 Pilot and Mainstage use cartridge insert technology which simplifies replacement and considerably reduces "downtime" costs. Features of the DN10 are an 'O' Ring interface that enables it to be fitted with a subplate, or manifold mounted for use in local control panels for actuators and wellhead control applications.

By removing just 4 bolts the valve can be dismantled without disturbing pipework and possibly contaminating the hydraulic system. Blanking or flushing plates can also be supplied.



Materials of construction

- Valve bodies and subplates 316L Stainless Steel
- Wetted parts, various grades of stainless steel/ ceramic/aluminium bronze
- Metal to Metal Seated Design

Filtration

- Recommended 10 micron absolute

Ingress protection

- IP66/NEMA 4X

Ambient temperature range

- Standard: -20°C to +60°C
- Low Temp: -50°C to +60°C

Operating pressure range

- 0 to 690 bar depending on operator type

Fluid Media

- Suitable for use with Mineral Oil, Synthetic and Water Glycol-type Fluids



ATEX

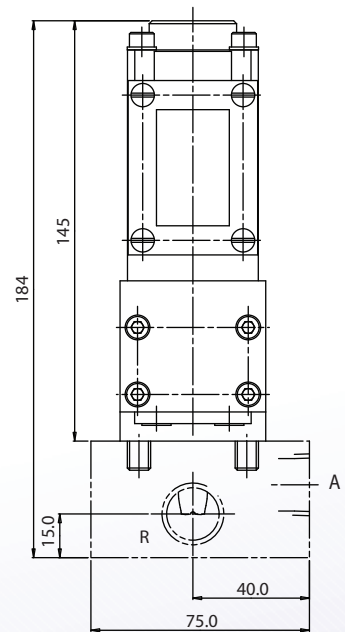
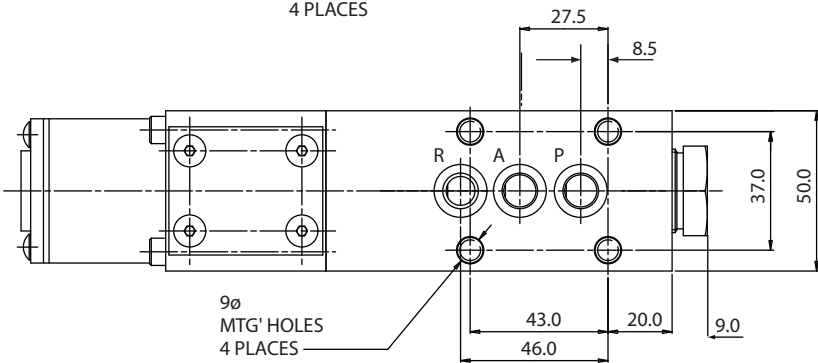
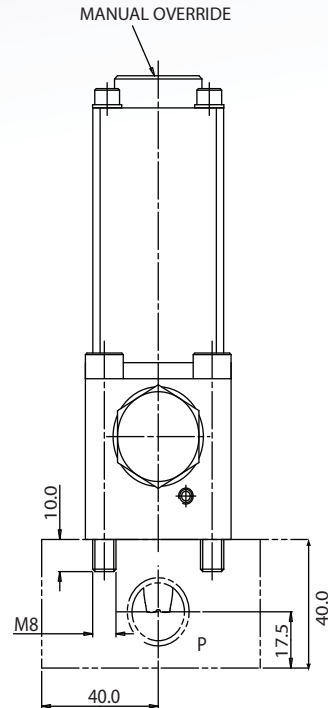
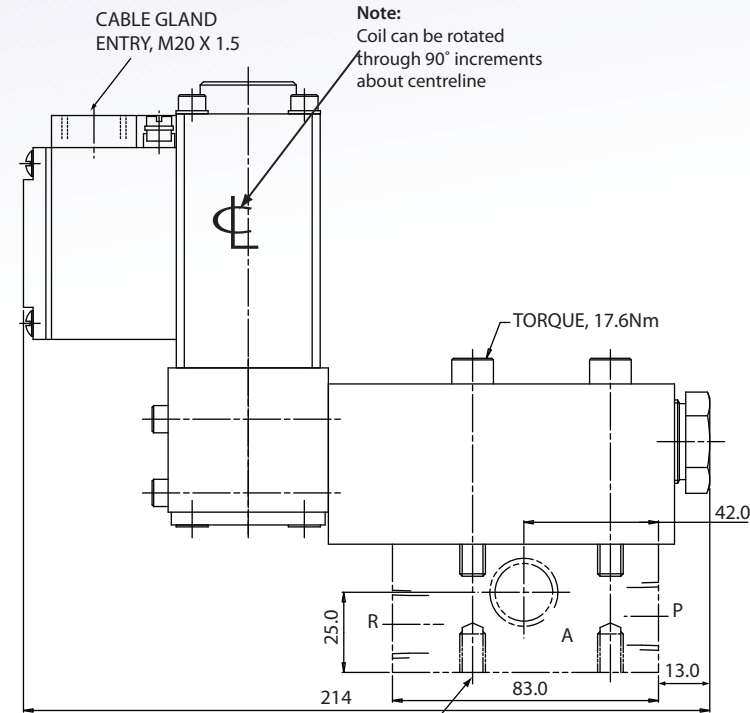


Severe & Hazardous Area Experts

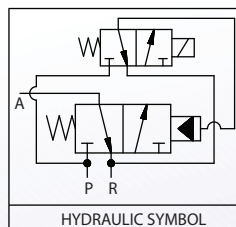
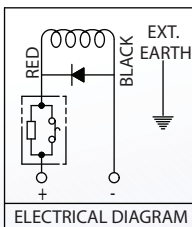
**Metal
to Metal
Seated**

**Hydraulic
Solenoid
Valve**

**DN10
Series**



PORT	DIA.	'O'RING
R	9.0	12.0 x 2.5
A & P	10.0	12.0 x 2.5



Approximate Weight
 With Subplate 6.75kgs
 Without Subplate 5.0kgs

Midland- ACS Valve Coding System 2007

										DN10 - 40l/min	Valve Orifice Size & Nominal Flowrates (Water Glycol @ 10 Bar AP)					
										2 = 210 4 = 400 5 = 690	Max Operating Pressure (Bar)					
										2 3 4 2 3	No. of Ports No. of Positions					
										1 - N/C 2 - N/O 4 - 4/2 5 - 4/3 open centre	Function					
										A = non block before bleed B = block before bleed	Block Before Bleed					
										2 = Oil 4 = Oil & Water Glycol	Operating Medium					
										1 = Nitrile 3 = Fluorosilicone (Low Temp)	Seals					
										A = No Operator (Valve Only) B = Industrial Solenoid (DC & AC voltage) D = EExme II T6 3.5 watt solenoid E = EExme II T4 8 watt solenoid J = EExia IIc T6 , <1 watt Atex K1 = EExd IIb T4 33 watt solenoid ATEX II 2G K2 = EExd IIC T6 3.5 watt solenoid ATEX II 2G K3 = EExd IIC T4 8.0 watt solenoid ATEX II 2G L = EExde IIb T4/T6 13 watt Non Atex N = Low pressure operator (gases) P = Medium pressure operator (hydraulic) R = High pressure operator (hydraulic) T = Manual palm push button V = Roller W = Cam X = Plunger Y = Fusible Bulb Z = Special Operator	Operator					
										B = 24Vdc C = 48V dc D = 110V dc E = 220V dc F = 110V 50 Hz G = 110V 60 Hz H = 120V 60Hz J = 125V 50Hz K = 240V 50Hz O = No Voltage	Voltage					
										O = Manual Over-Ride (Spring Return) M = Manual Reset D = Manual Detent A = Autoreset (Spring Return) B = Bi-stable Hydraulic Latch H = Hydraulic Over-Ride	Additional Features					
										0 = Valve only (w/out subplate) 1 = Subplate Mounted 2 = Body Ported	Interface					
										0 = valve only 3 = 1/2"	Port Size					
										0 = Valve Only 1 = NPT 2 = BSPP 3 = BSPT 4 = MP 20,000 psi 5 = Special	Thread					
										0 = No Extras 1 = 1/2" NPT cable entry 2 = position indicator proximity sensor 3 = external pilot supply 4 = external pilot drain 5 = hydraulic override	Special Features					
DN10	-	5	3	2	1	A	2	1	E	B	A	1	3	1	0	Example